

## Table readers ID DESK 3000



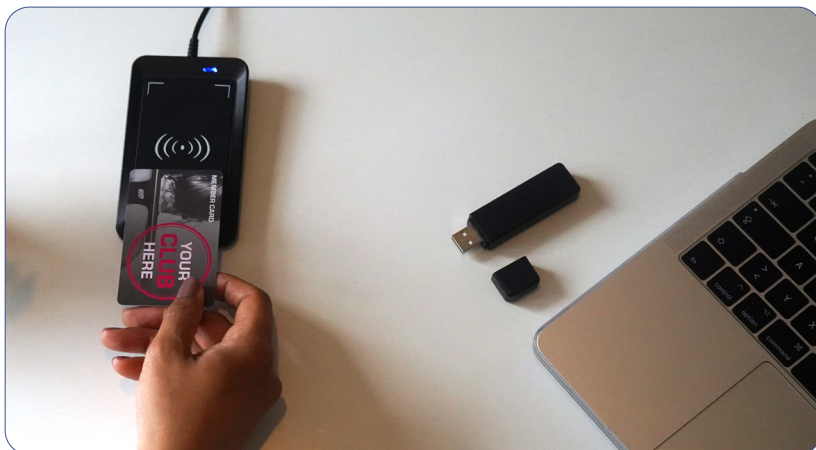
### Description

The ID DESK 3000 desktop reader is a sleek and compact USB RFID reader, available in an HF/NFC version. Its slim and streamlined design makes it even more user-friendly than its predecessor, enhancing the ease of reading identification media, such as membership cards, when placed atop the reader.

One of its standout features is the seamless integration capability with existing systems. This ensures that system expansions can be undertaken without incurring additional complexities. Within a gym or other sports facility, the ID DESK 3000 serves a plethora of functions: from identifying members at the reception desk, facilitating access to the sauna/wellness areas, enabling contactless payments at snack machines, to enrolling new members' cards, and assisting with the retrieval of forgotten locker numbers, among others.

Capable of reading a diverse range of transponders, the ID DESK 3000 is compatible with RFID tags such as MIFARE® Classic, MIFARE® DESFire, NTAG, EMxxxx, and I-Code ILT-M.

With its USB 2.0 connectivity and the convenience of the Plug and Play feature, the reader is primed for immediate deployment. It offers operational flexibility by being able to function in HID (Human Interface Device) mode for read-only access, or in VCP (Virtual COM Port) mode for both reading and writing access.



*Easy teach-in of new access media (such as RFID cards)  
from new members*

### APPLICATIONS

- Member/visitor identification
- Create new members (e.g. membership cards, wrist bands, keyfobs)
- Access to separate areas (e.g. in the sauna, wellness area, etc.)
- Contactless payment (e.g. at the snack machine, in the bistro, etc.)

### HIGHLIGHTS

- Read/write function (HID + VCP)
- Easy to integrate thanks to USB 2.0 (Plug & Play function)
- Slim & handy design
- Buzzer & LED signal

### RFID OPTIONS

#### HF / NFC (13,56 MHz)

- MIFARE® Classic | 1k/4k
- MIFARE DESFire® EV1/EV2 | 2k/4k/8k
- MIFARE Ultralight
- NTAG 21x
- I-Code SLI/ SLI-X
- I-Code ILT

## TECHNICAL DATA

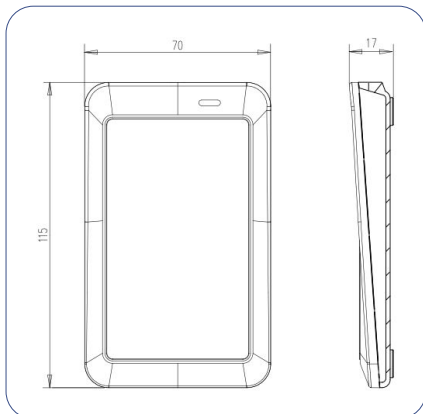
Electrical specifications	
Energy supply	USB VCP + HID
Current consumption	< 200 mA
Frequencies	HF: 13.56 MHz
Standard UID Output	• HF. ISO 14443A UID LSB
RFID antenna	integrated
Show status	• 2-color LEDs (visual signal) • Buzzer (acoustic signal)
Interfaces	USB 2.0 (Plug-and-play)

Mechanical specifications	
Dimensionen	115 x 70 x 17 mm (without USB cable)
Weight	90 g (incl USB cable)
Housing	ABS material (black)

Environmental conditions	
Operating temperature	-20 °C up to +70 °C
Storage temperature	-20 °C up to +80 °C
Humidity	up to 95%

Supported RFID standards   Tags	
RFID HF: 13,56 MHz	
ISO 14443 A and compatible	Read/write: MIFARE® Classic/1K/4K, MIFARE Ultralight®/C, MIFARE® DESFire® EV1/2, MIFARE® Smart MX, MIFARE® Plus S / X, MIFARE® Pro X, NTAG 21x, Read UID only of all other ISO14443A RFID tags
ISO 14443 B and compatible	SRI4K, SRIX4K, AT88RF020, 66CL160S, SR176
ISO 15693 and compatible	EM4135, EM4043, EM4x33, EM4x35, ICode SLI / SLIX, M24LR16/64, TI Tag-it HF-I, SRF55Vxx (my-d vicinity)
ISO 18000-3M3	I-Code ILT-M

SDK INFORMATIONEN	
Operating systems	Windows XP, Vista, 7, 8, 8.1, 10
Supported languages	Binary command protocol, VS2005 C++
Demo software	Windows



Dimensions



NEO 2 incl. packing



Application example with membership card

## ORDER CODE

Description	Order code
Tischleser ID DESK 3000 (HF/NFC)	R-DT-NEO2-HF