

## Turnstile ID Gate 1800 Double



### Description

The **ID Gate 1800 Double** is a covered full-height turnstile with 2 passages. The stainless steel roof construction makes it difficult to climb over and provides protection from weather conditions. The frame, also made of stainless steel, is robust and weather-resistant.

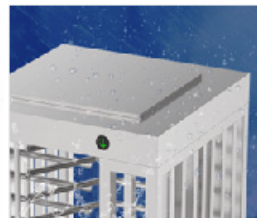
The ID Gate 1800 Double is used in various applications, including stadiums, where it effectively controls access to the general stadium area or exclusive VIP sections. Overall, the ID Gate 1800 is characterized by its suitability for areas that require high security standards.



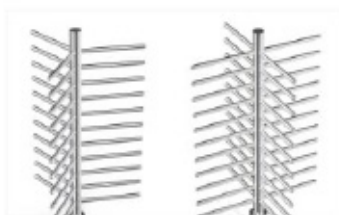
Manual control of entry direction



80x80 tube, stable structure



Protective roof



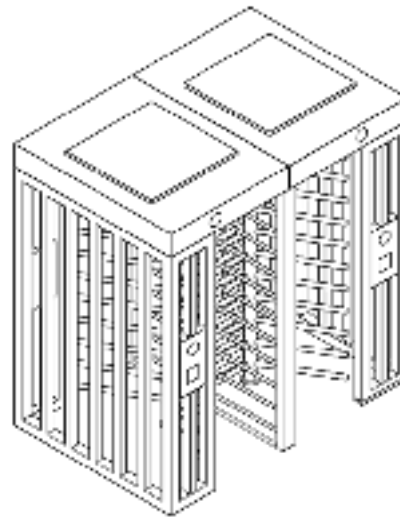
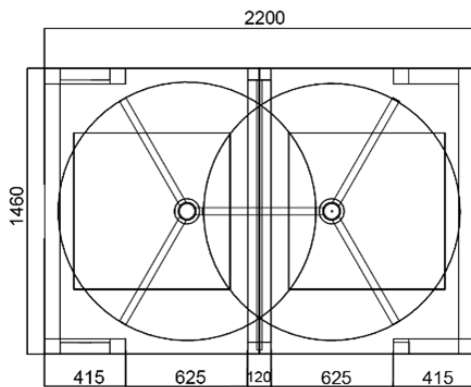
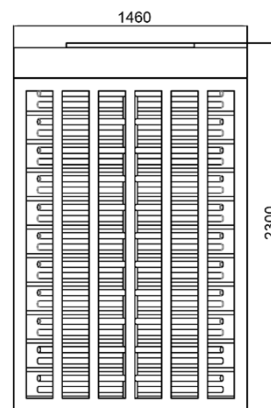
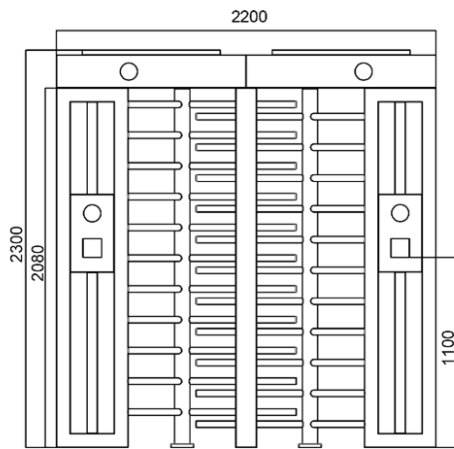
90° / 120° Rotor Optional (three or four sections)



Anti-trailing function: Allows only one person to pass at a time

### HIGHLIGHTS

- Durability, high operational reliability and fast response
- One-sided or two-sided operation
- Automatic reset function (The turnstile is automatically locked within 5 seconds when the passenger delays the entry).
- Automatic anti-panic function that guarantees free passage in emergency situations (e.g. power failure or fire alarm)
- Inside / Outside
- Built-in LED indicators for continuity clearance
- 3 year warranty



## TECHNICAL DATA

Specification	
Dimension	2200 x 1460 x 2300mm (L x W x H)
Passage width	625mm/passage
Passing Direction	Single directional / Bi-directional
Material	Stainless steel (304)
Power supply	AC220V/110V, 50/60Hz
Power consumption	40W
Operating voltage	24V DC
Flow Rate	30 people per minute
Emergency mechanism	Exit freely
Communication interface	Dry contact, Relay signal, RS485
Net weight	400kg/piece
Operating temperature	- 15 °C up to 60 °C
Optional	<ul style="list-style-type: none"> <li>• RFID Reader (Mifare / EM / Hitag)</li> <li>• Barcode / QR Code Reader</li> <li>• Combined QR Code / RFID</li> <li>• Remote control (cable / radio)</li> </ul> <p>Third party reader installation on request</p>