

Turnstile ID Gate 1800 Single



Description

The **ID Gate 1800 Single** is a covered turnstile designed for both indoor and outdoor use. The stainless steel roof makes it difficult to climb over and protects the passageway from weather conditions.

The ID Gate 1800 Single is suitable for various applications, including stadiums, where it can be used to control access to the stadium or VIP areas. Overall, the ID Gate 1800 is a reliable access control solution that enhances the security and comfort of visitors.

HIGHLIGHTS

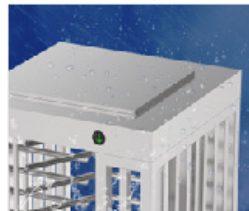
- Durability
- One-sided or two-sided operation
- Fast response
- One-sided or two-sided operation
- Automatic reset: Turnstile locks after 5 seconds if no passage is detected
- Automatic anti-panic function that ensures free passage in emergency situations (e.g., power outage or fire alarm)
- Indoor / outdoor use
- LED status indicator
- Waterproof to IP65
- 3-year warranty



Manual control of entry direction



8 x 8 cm sturdy steel pipes



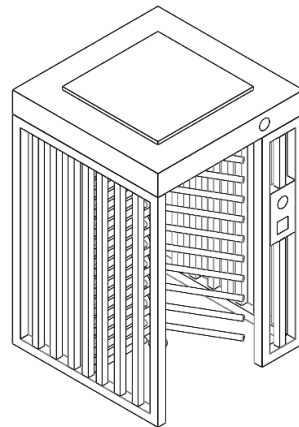
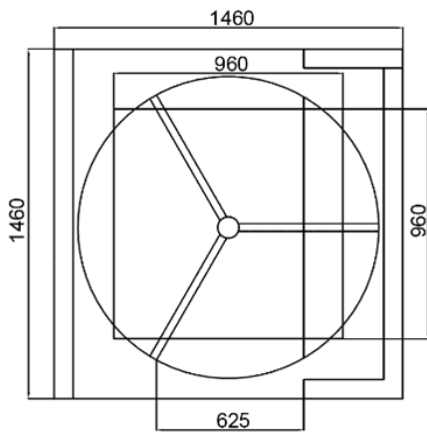
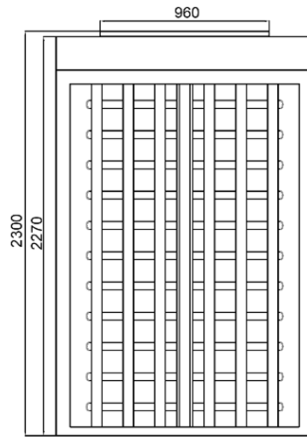
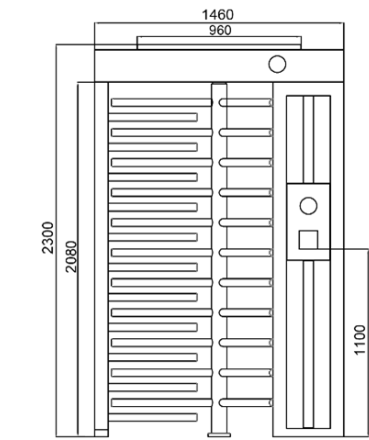
Stainless steel IP65



90°/ 120° Rotor
(three or four sections)



Anti-trailing function:
one person can pass at the same time



TECHNICAL DATA

| Specification | |
|-------------------------|--|
| Dimension | 1460 x 1460 x 2300mm (L x W x H) |
| Passage width | 625mm/passage |
| Direction | Unidirectional / Bi-directional |
| Material | Stainless steel (304) |
| Power supply | AC230V/110V, 50/60Hz |
| Power consumption | 40W |
| Operating voltage | 24V DC |
| Throughput frequency | 30 people per minute |
| Emergency mechanism | Exit freely |
| Communication interface | RS485, dry contact, relay signal |
| Net weight | 200kg/piece |
| Operating temperature | - 15 °C up to 60 °C |
| Optional | <ul style="list-style-type: none"> • RFID Reader (Mifare / EM / Hitag) • Barcode / QR Code Reader • Combined QR Code / RFID • Remote control (cable / radio) • Third party reader installation on request |