

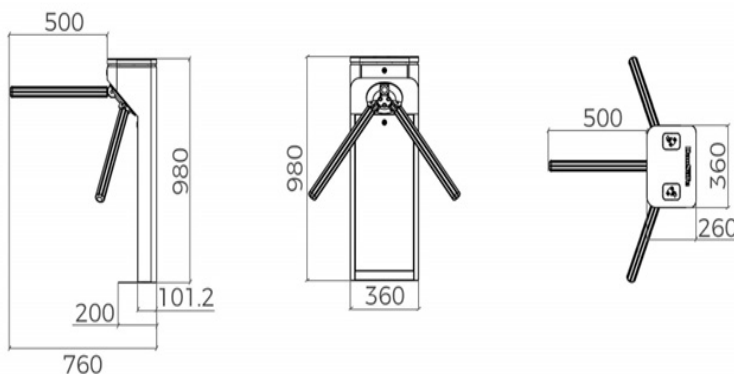
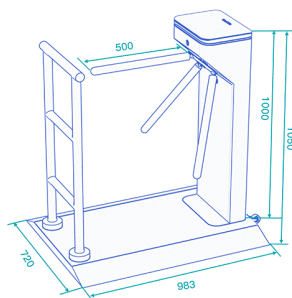
## Turnstile ID GATE 6200



### Description

The **ID GATE 6200** is a flexible and versatile turnstile for access control in various application areas such as office buildings, airports, public transportation, museums, stadiums, retail, and universities. It ensures reliable and effective access control for authorized individuals, thereby enhancing security.

The turnstile regulates access to sensitive areas and increases security in the mentioned application areas. If you're looking for a reliable solution for access control, then the ID GATE 6200 is a perfect choice.



### HIGHLIGHT

- Durability, high operational reliability and fast response
- Transponder or ticket-based input and output possible alternatively free-turning output
- Automatic anti-panic folding arms that guarantee free passage in emergency situations (e.g. power failure or fire alarm)
- Integrated LED indicators show the throughput direction
- 3 year warranty

### Accessories (Optional)

- 2x RFID-Reader (NXP MIFARE® Ultralight, Classic 1k / 4k)
- Wireless Remote Control
- Foreign reader installation (z.B. MIFARE®, LEGIC, EM, HID, etc.)

## TECHNICAL DATA

Specification	
Dimensions	360 x 260 x 980mm
Passage width	500mm
Material	Stainless steel (304)
Power supply	AC230V/110V, 50/60Hz
Power consumption	20W
Operating voltage	24V DC
Throughput frequency	35 people per minute
Emergency Mechanismus	Automatic anti-panic folding arms
Communication interface	TCP/IP, RS485, dry contact, relay signal
Operating temperature	-20 °C up to 75°C
Protection class	IP65 (For indoor/outdoor use)
Optional	<ul style="list-style-type: none"> <li>RFID Reader (Mifare/ EM/ Hitag)</li> <li>Barcode / QR Code Reader</li> </ul> Third party reader installation on request

## DIMENSIONS

Dimensions	
ID Gate 6200	360* 260* 980mm (L x B x H)
Base plate with rollers	983* 710* 50mm
Completion Railing	340x 850mm
Material	Stainless steel (304)

## ACCESSORIES (OPTIONAL)

Product Accessories	
Accessories (Optional)	<ul style="list-style-type: none"> <li>2x RFID-Reader (NXP MIFARE® Ultralight, Classic 1k / 4k)</li> <li>Wireless remote control</li> </ul> Foreign reader installation (z.B. MIFARE, LEGIC, EM, HID, etc)